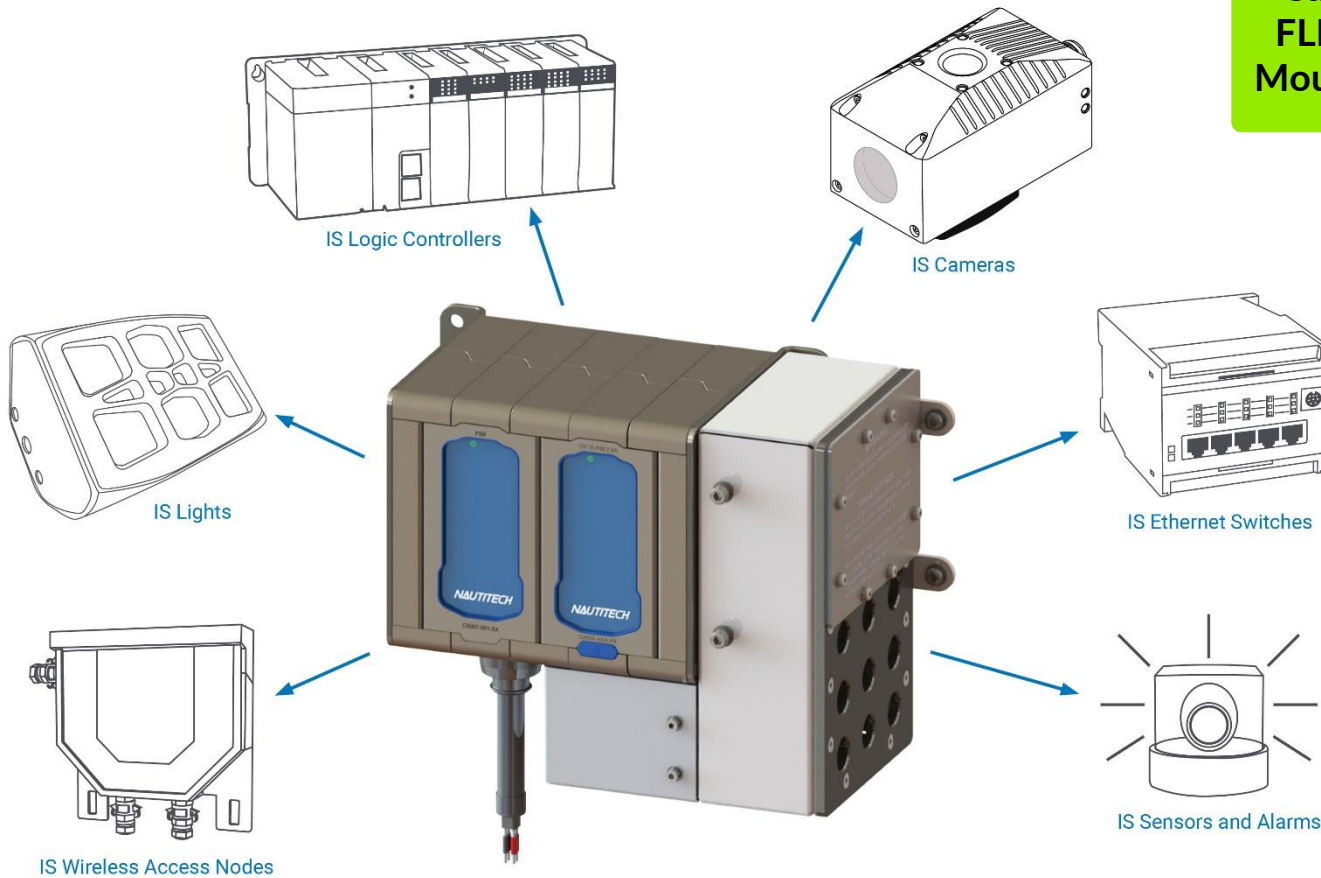


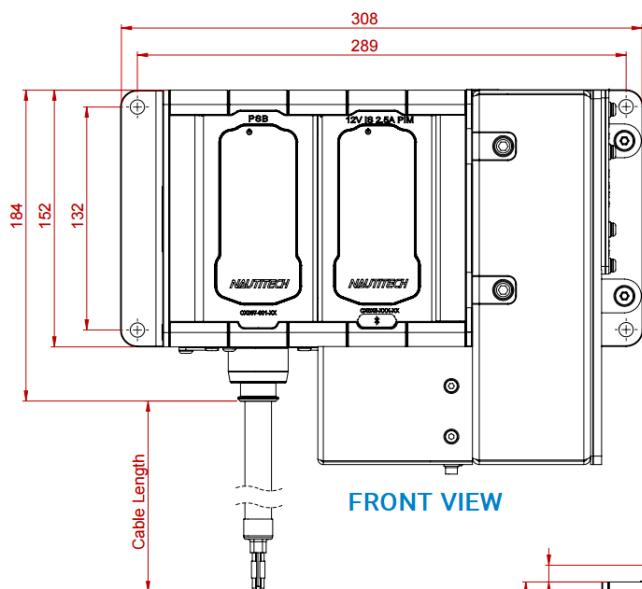
**Save space in  
FLP Enclosure!  
Mount externally**



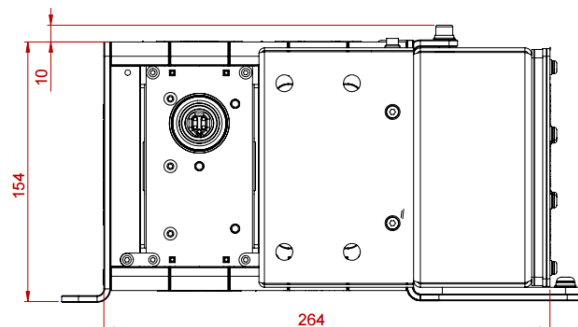
- ### KEY FEATURES
- ❑ 12V CONTROLLABLE I.S. POWER SUPPLY
  - ❑ UNIVERSAL COMPATIBILITY:  
Nautitech and 3<sup>rd</sup> party certified products
  - ❑ VOLTAGE: 12V controllable outputs
  - ❑ OUTPUT POWER:  
9 X 12V Up to 2.5A or 2.8A each
  - ❑ TOTAL COMBINED I.S. POWER: 120W
  - ❑ PROGRAMMABLE: via Bluetooth
  - ❑ INSTALLATION:  
Directly into hazardous areas. Externally mounted, no FLP enclosures required
- Certified under  
IECEX TSA 24.0002X  
IECEX TSA 24.0003X**

**Applications Include**

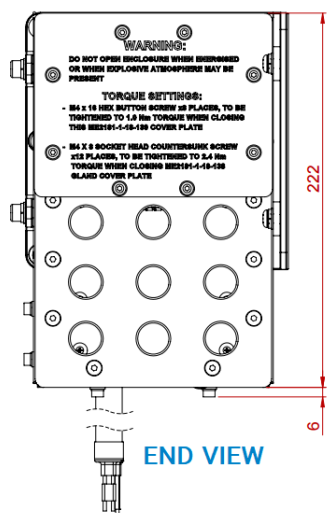




**FRONT VIEW**



**BOTTOM VIEW**



**END VIEW**

## TECHNICAL SPECIFICATIONS

- ❑ **OUTPUTS:** 9 X 12V I.S. outputs powering 17 controllable output channels
- ❑ **GPIOs:** 13 X I.S. configurable GPIOs
- ❑ **INPUT POWER :** 10-30 VDC,  $U_m < 90V$
- ❑ **SUITABLE FOR:** 12V and 24V Alternators
- ❑ **AMBIENT TEMP:** -20°C to +60°C
- ❑ **PIM PROTECTION:** Increased Safety “eb”  
Intrinsic Safety “ib”
- ❑ **PIM MARKING:** Ex eb [ib] I Mb
- ❑ **PSM PROTECTION:** Encapsulation “mb”  
Increased Safety “eb”  
Intrinsic Safety “ia”
- ❑ **PSM MARKING:** Ex eb mb [ia] I Mb ( $U_m$  available)  
Ex ia I Ma ( $U_m$  withdrawn)
- ❑ **STANDARDS:** IEC 60079 Electrical apparatus for explosive gas atmospheres

## ORDER INFORMATION

Part #: CX2181-021	2.5A, 12V controllable I.S. Power Supply with 2xM20 and 3xM25
Part #: CX2181-022	2.8A, 12V controllable I.S. Power Supply with 2xM20 and 3xM25
Part #: CX2181-023	2.5A, 12V controllable I.S. Power Supply with 9xM20
Part #: CX2181-024	2.8A, 12V controllable I.S. Power Supply with 9xM20

