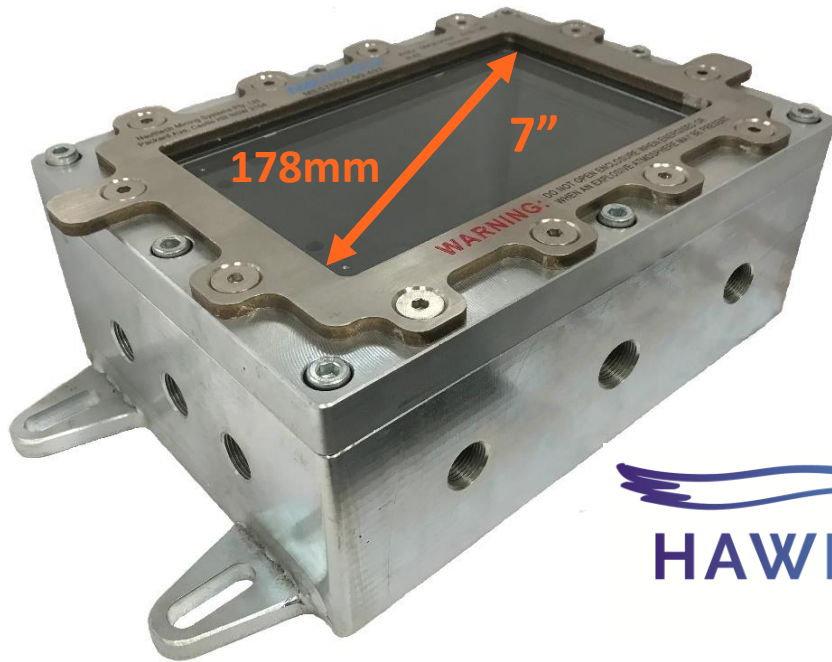


**Applications include: Longwall, Development, Mobile Machinery, Belt Conveyors, Alarm Systems**



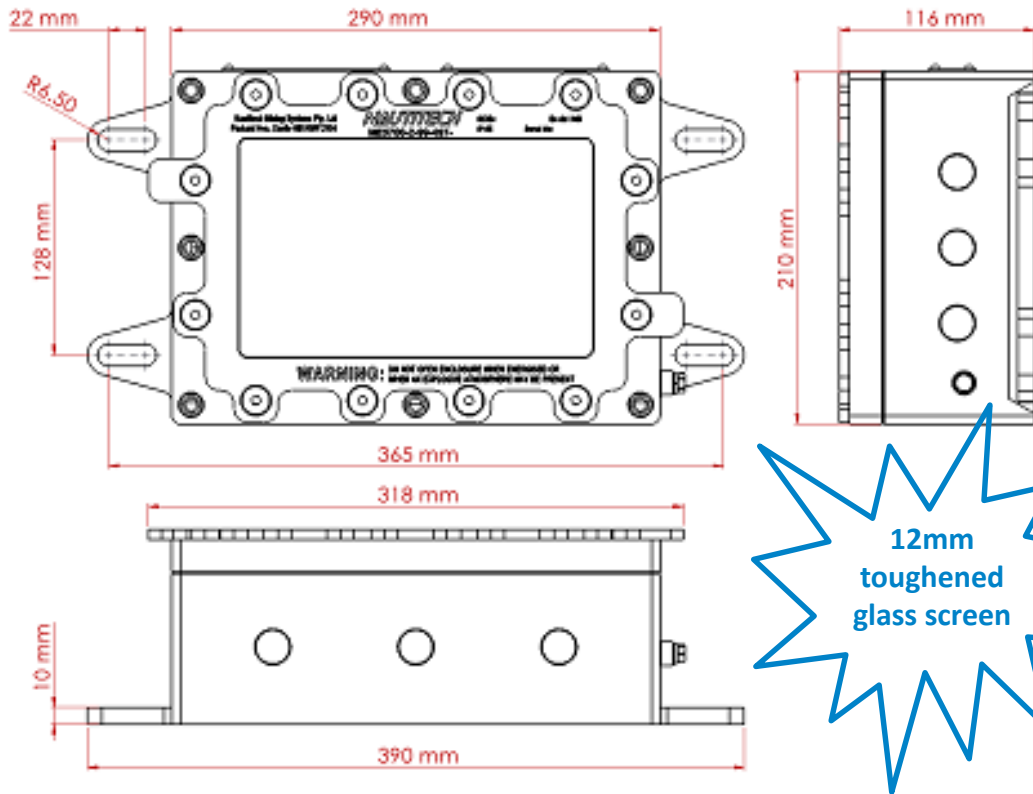
**Part #: ME5700-2-99-470**

## ONE SMART DISPLAY... MULTIPLE APPLICATIONS

### FEATURES

- ✓ Large, 7" (178 mm) high resolution wide viewing angle display
- ✓ Single flameproof enclosure with multiple viewing options including live streaming, recording, video playback, file browsing and system configuration
- ✓ Allows up to 24 hours video recording
- ✓ Industrial communication interfaces allow access to SCADA
- ✓ LAN/Ethernet Connectivity over TCP/IP
- ✓ 3 USB Ports available inside enclosure for extended storage
- ✓ Designed to contain an optional Real Time Clock for recording
- ✓ Intel Quad Core processor with 4GB RAM (extendable to 8GB)
- ✓ mSATA mini SSD 64GB allows video recording and data storage
- ✓ Fully compatible with Nautitech® digital HD and IP Thermal Video Cameras @ up to 25 fps
- ✓ 12mm scratch-proof toughened glass provides clear visibility
- ✓ **Certified for Zone I under IECEx SIM 20.0003X**

**TECHNICAL SPECIFICATIONS – HAWKEYE QUAD 7” SMART DISPLAY**



**12mm  
toughened  
glass screen**



- ❑ **CERTIFICATION:** IECEx SIM 20.0003X
- ❑ **DISPLAY:** 7” diagonal
- ❑ **PROCESSOR:** Intel Quad Core 1.6Ghz
- ❑ **RAM:** 4GB RAM (Extendable to 8GB)
- ❑ **STORAGE:** mSATA mini SSD 64GB capacity
- ❑ **VIDEO:** Up to 24 hrs digital video recording
- ❑ **INPUTS:** 8 magnetic input switches
- ❑ **INTERFACES:** Digital I/o, CAN BUS and RS-485 Serial Ports
- ❑ **SCREEN:** Toughened Glass (not plastic)
- ❑ **RESOLUTION:** 1280 X 800
- ❑ **BRIGHTNESS:** 500 cd/m<sup>2</sup> with dimming control
- ❑ **POWERED BY:** 12V-24V FLP industrial power supply
- ❑ **OPERATING TEMPERATURE:** -20°C to +40°C
- ❑ **PROTECTION:** Rugged IP65, vibration resistant

