



## FLAMEPROOF ENCLOSURES

(Ex d)



**SMALL**

5060 series



**MEDIUM**

1185 series

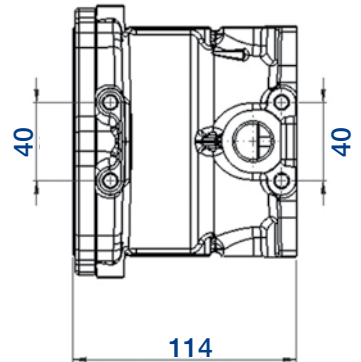
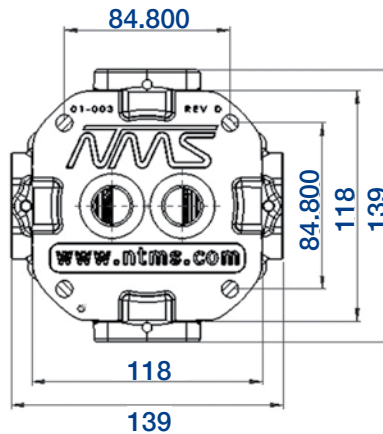


**LARGE**

5230 series

Nautitech's family of flameproof enclosures are designed in-house to withstand the most brutal mining and hazardous area conditions.

Enclosures V1.0



## KEY FEATURES

- Ex d certified
- Solid stainless steel construction, suited to harsh and hazardous areas
- Various cover options to fit different applications
- Australian designed, certified and assembled
- IP66 (Ingress Protection rating)

## ATTRIBUTES

- Wide -20 to +60°C ambient temperature rating
- Dual stainless steel dowels for ease of assembly
- Multiple gland entries for flexible installation options
- Flexible internal componentry mounting options
- Rear and side (all 4 sides) mounting options to plates or brackets

## DIMENSIONS

366 x 200 x 155 mm

## APPLICATIONS

- Lights
- Junction box
- Camera
- Terminals
- Control and signalling equipment and instruments
- LCD displays
- Methane display



## CERTIFICATIONS

- IECEX ITA 12.0007X
- FM13ATEX0088X
- MASC MS/14-0066X

## VARIOUS COVER OPTIONS



**Front Mount Window**

Suitable for instruments mounted in housing - larger view area



**Rear Mount Window**

Suitable to mount instruments onto cover



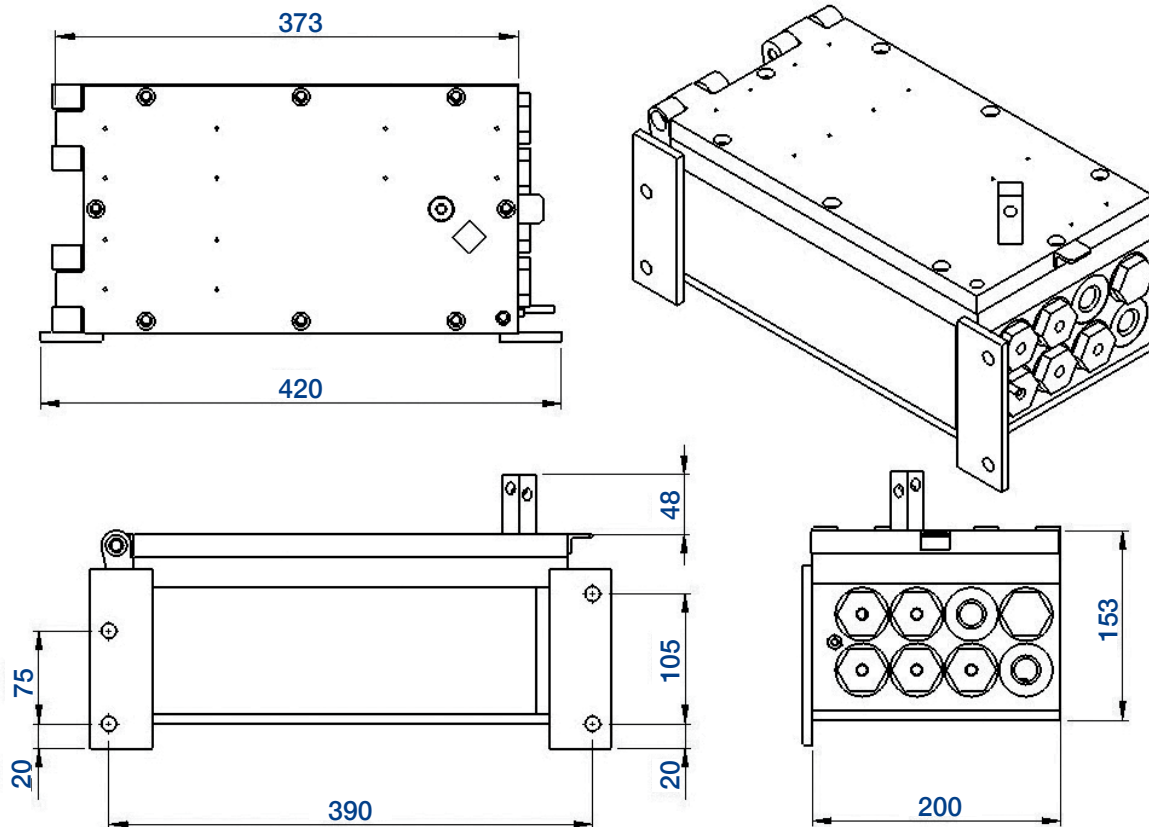
**Junction Box Cover**

Up to 8 entry points available with housing



**Thermal Camera Cover**

Model shown provides horizontal viewing angle of up to 60°



## KEY FEATURES

- Mild steel construction suited to harsh and hazardous areas
- IP55 (Ingress Protection rating)

## ATTRIBUTES

- Wide 20 to +60°C ambient temperature rating
- 8 gland entries for flexible installation options
- Isolation switch included
- Flexible internal componentry mounting options
- Cover maybe fixed on any of the two sides of the enclosure

## APPLICATIONS

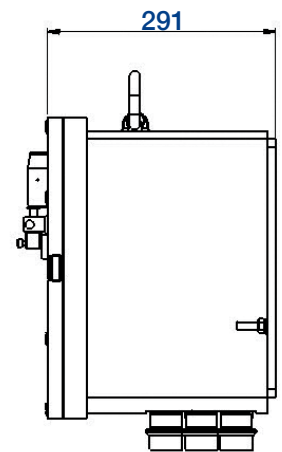
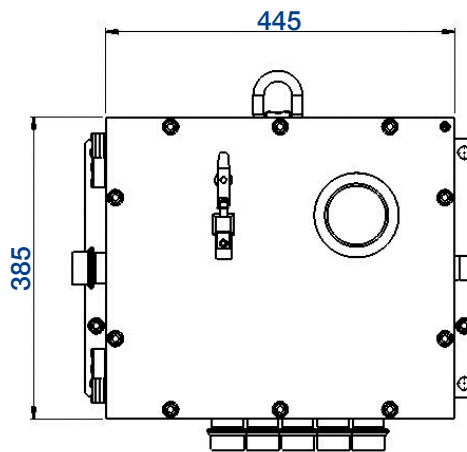
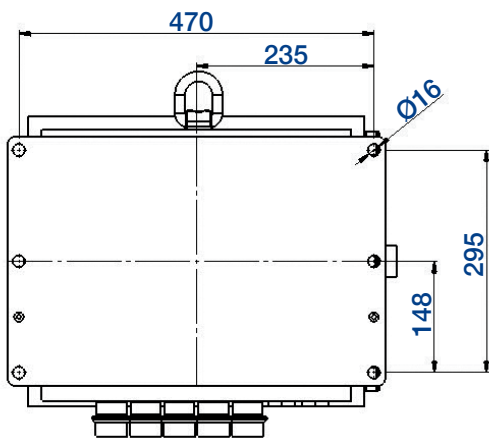
- For low power electrical/electronic equipment
- As an engine management enclosure
- A decoupler enclosure or junction box
- May house components like circuit breakers, contactors, engine modules, power management units and control equipment

## CERTIFICATIONS

- ANZEx 10.4091X

## DIMENSIONS

366 x 200 x 155 mm



## KEY FEATURES

- Mild steel construction suited to harsh and hazardous areas
- IP66 (Ingress Protection rating)

## ATTRIBUTES

- Wide -20 to +60°C ambient temperature rating
- Multiple gland entries for flexible installation options
- Plugs available to plug gland entries where required
- Flexible internal componentry mounting options

## APPLICATIONS

- As an engine management enclosure
- A de-coupler enclosure or junction box
- May house components like circuit breakers, contactors, engine modules, power management units and control equipment

## CERTIFICATIONS

- IECEx KDB15.0006U

## DIMENSIONS

500 x 321 x 385 mm